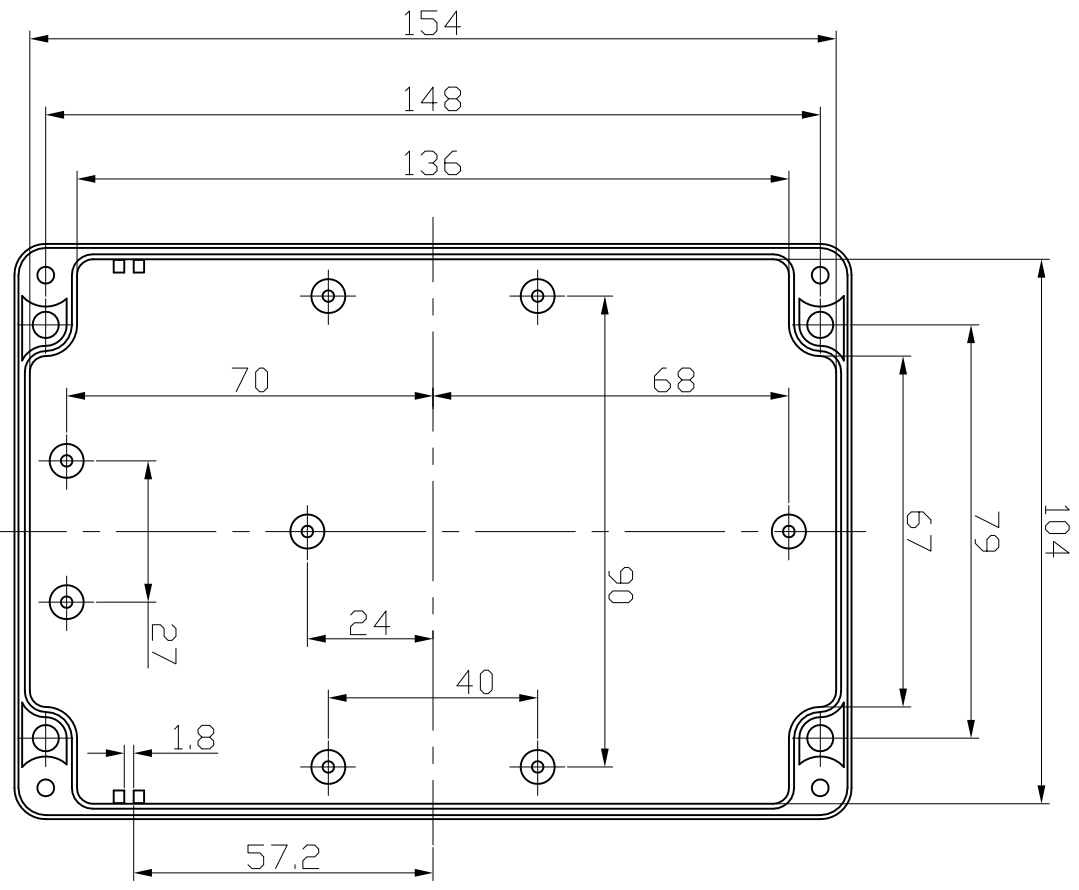
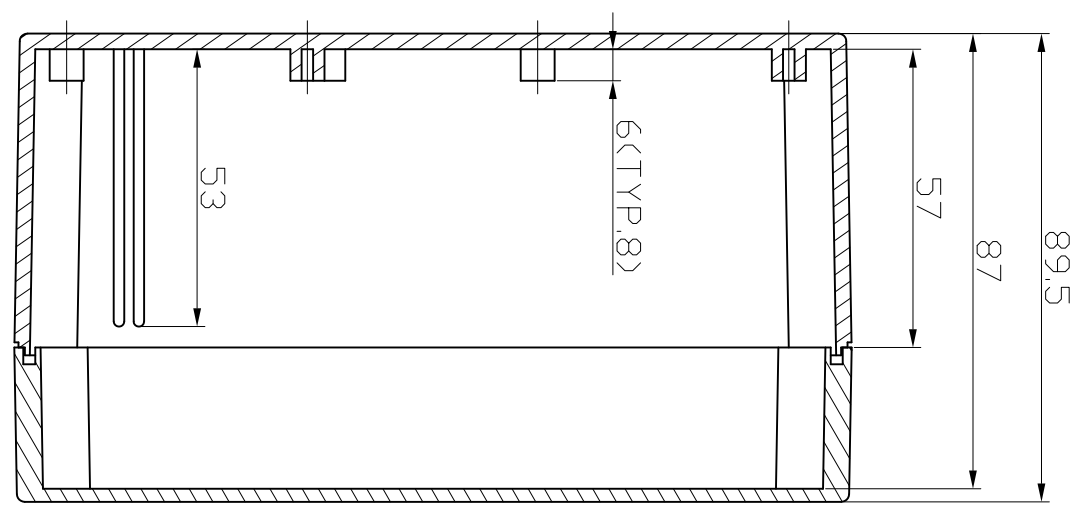


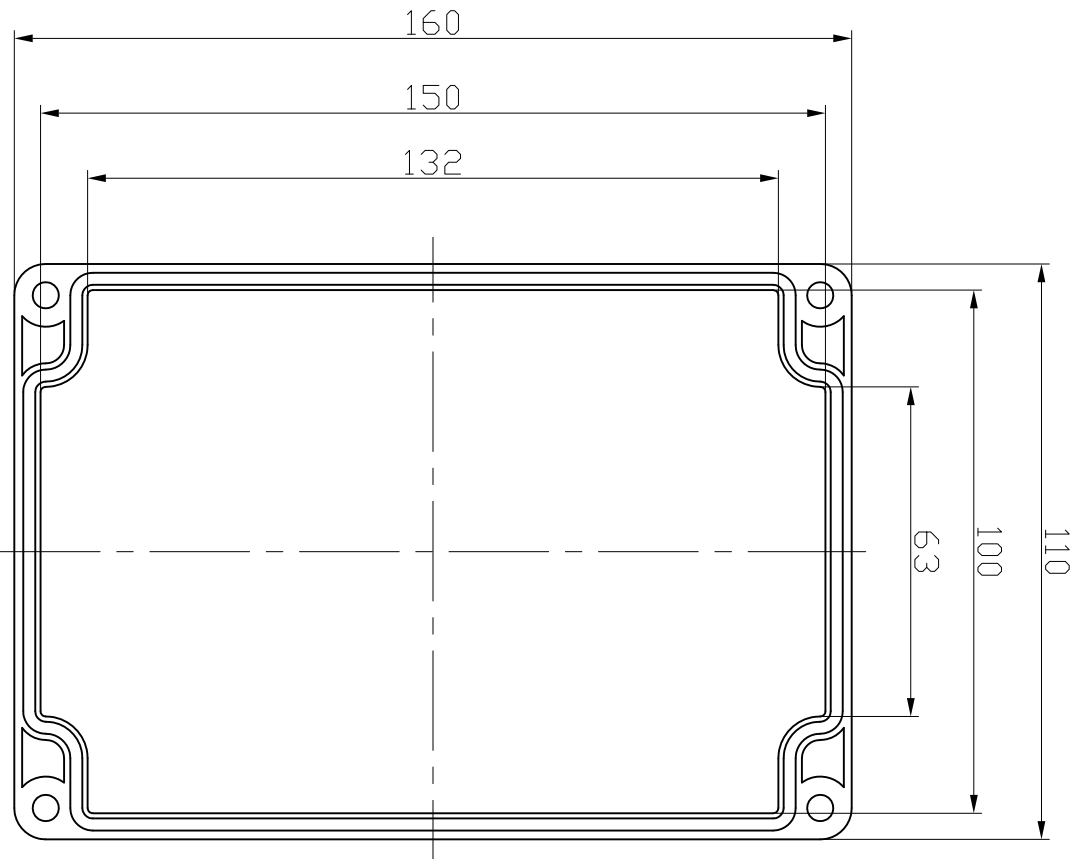
PROPRIETARY INFORMATION				REVISIONS					
THIS DRAWING IS THE PROPERTY OF REICON ENCLOSURES. DISCLOSE OR REPRODUCTION OF THE INFORMATION ON THIS DRAWING IS PROHIBITED WITHOUT PRIOR WRITTEN CONSENT OF REICON ENCLOSURES.				E.C.O.	ZONE	REV.	DESCRIPTION	DATE	BY



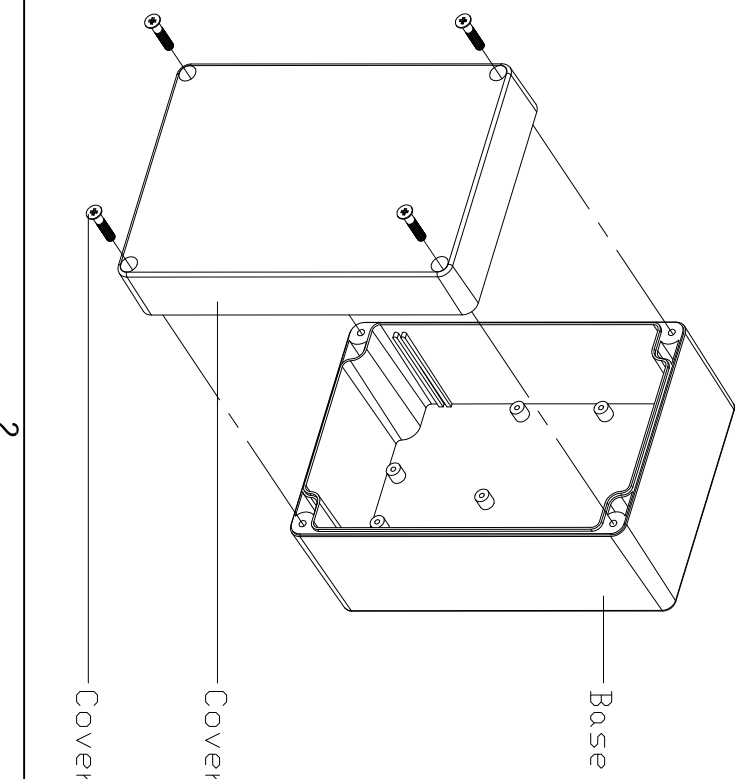
Top view with removed cover



Section view of ASM.



Inside view of Cover



Base
Cover (with Sealing)
Cover Screw

Technical data

IP Rating : IP65 (IEC-60529)
IK Rating : IK07 (EN-50102)
Temperature Range : -20°C—70°C
Flamability : UL94-HB

http://www.reicon.com.cn		MATERIAL ABS		APPROVALS DRAWN CHECKED CUSTOMER		DATE		北京瑞康华泰电子设备有限公司 BEIJING REICON ELECTRONICS EQUIPMENT CO., LTD.	
DO NOT SCALE DRAWING 部分图元可能未按比例绘制		THIS DRAWING IS ONLY FOR YOUR REFERENCE 图上尺寸仅供参考，请以实际产品为准		COLOR BEIGE		DIMENSIONS ARE IN MM		DWG. NO. 01.058A/01.058T PROJECTION TYPE	
								TITLE JUNCTION BOXES	
								REV. SHEET 1 OF 1 SIZE A2	