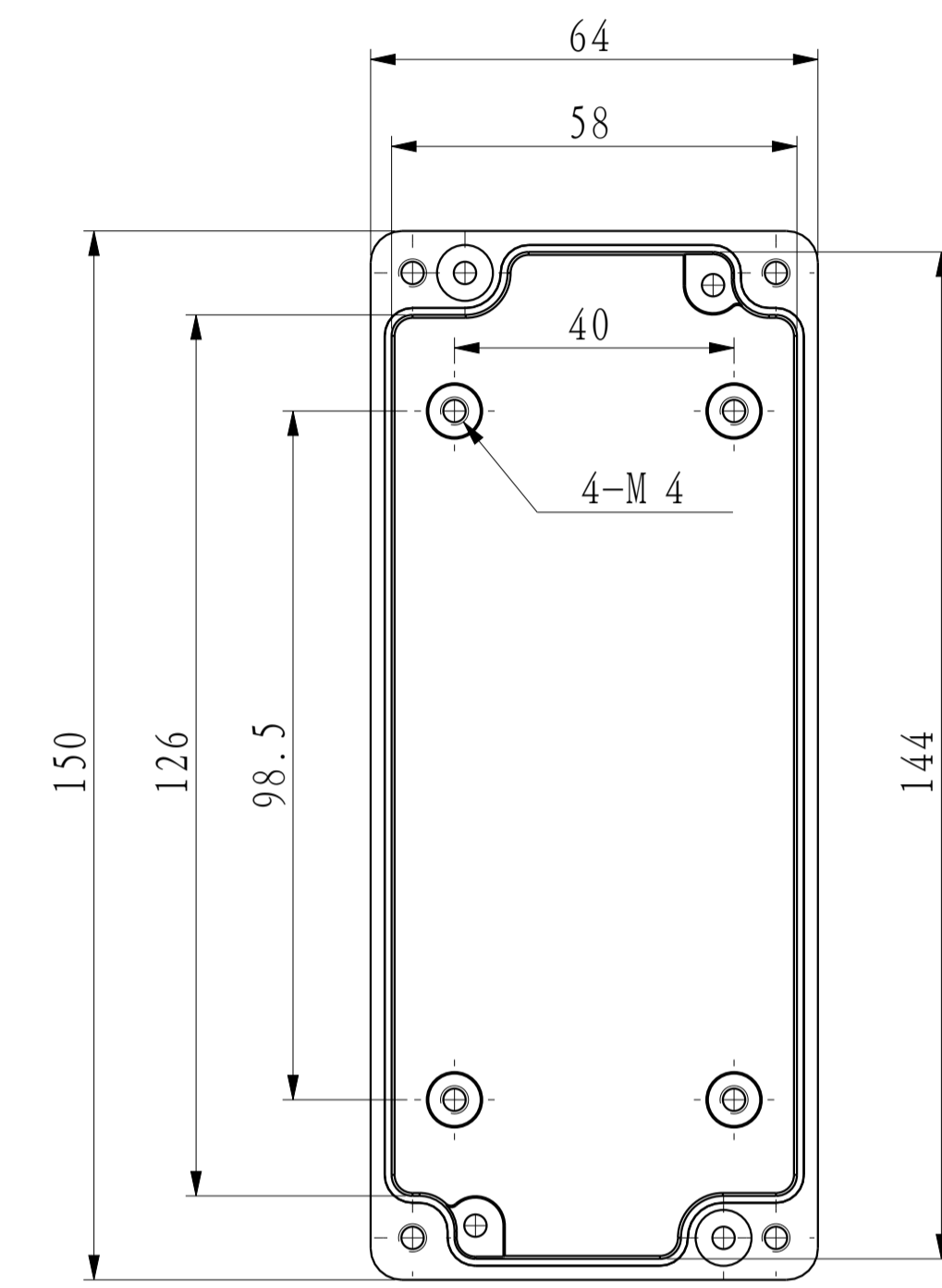
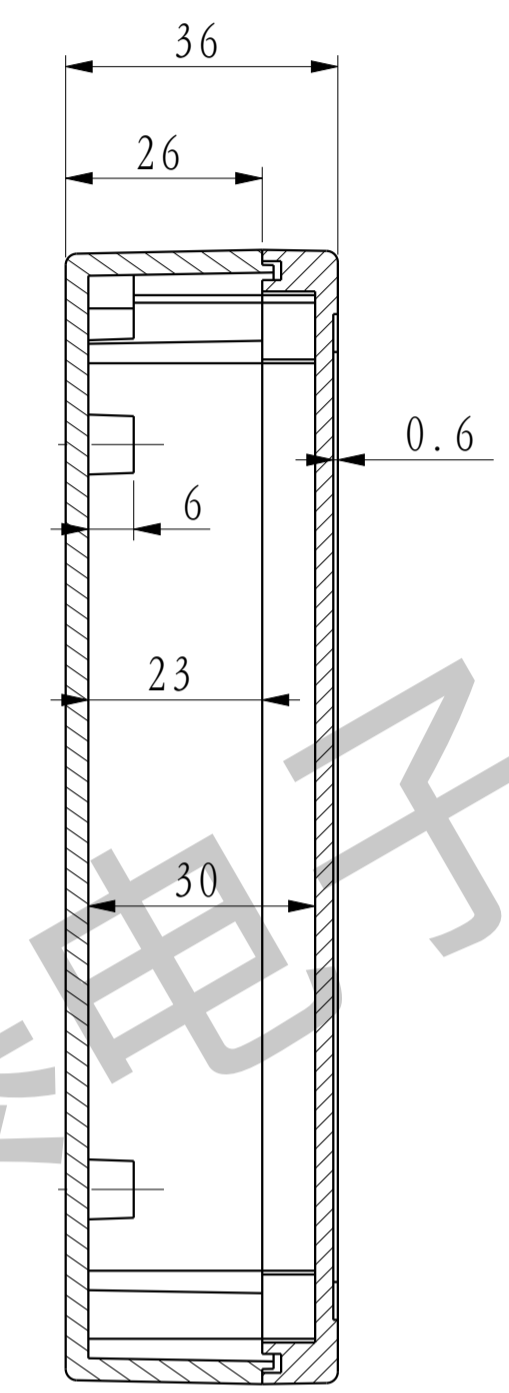


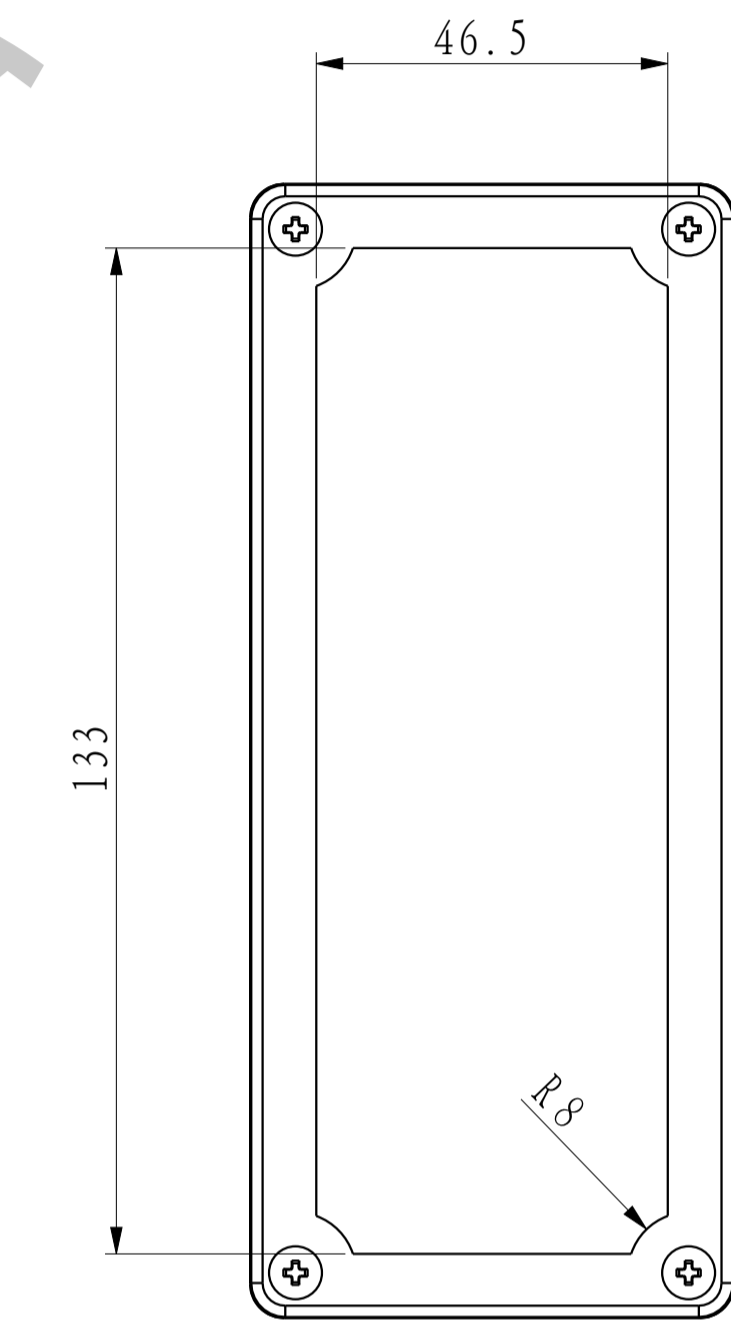
PROPRIETARY INFORMATION			REVISIONS					
THIS DRAWING IS THE PROPERTY OF REICON ENCLOSURES. DISCLOSURE OR REPRODUCTION OF THE INFORMATION ON THIS DRAWING IS PROHIBITED WITHOUT PRIOR WRITTEN CONSENT OF REICON ENCLOSURES.			E.C.O.	ZONE	REV.	DESCRIPTION	DATE	BY



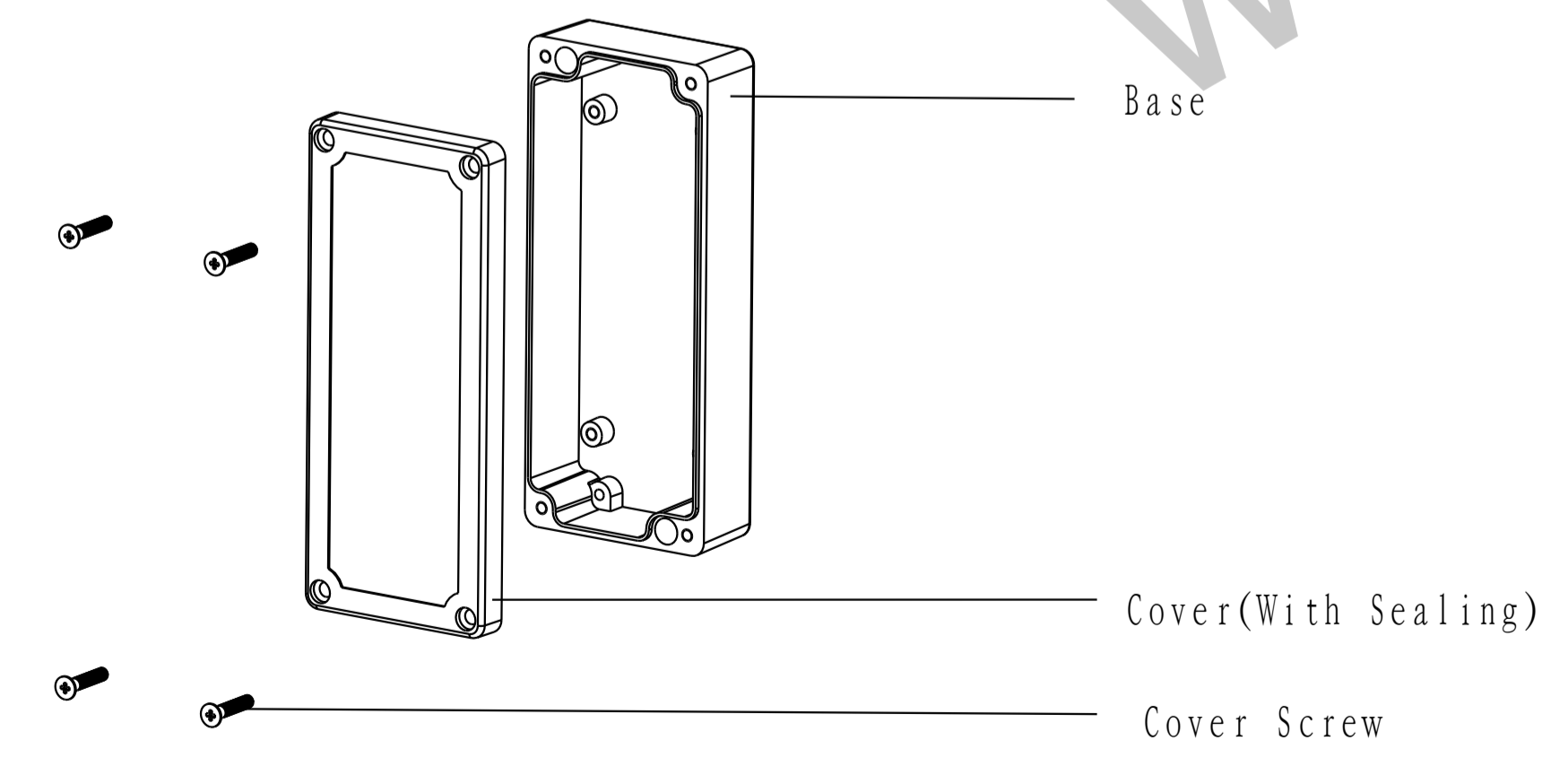
Top View (Without the Cover)



Side Section View



Top View



http://www.reicon.com.cn	MATERIAL	ZL102	APPROVALS	DATE	北京瑞康华泰电子设备有限公司 BEIJING REICON ELECTRONICS EQUIPMENT CO., LTD.		
	COLOR	Light Grey	CHECKED				
DO NOT SCALE DRAWING 部分图元可能未按比例绘制	THIS DRAWING IS ONLY FOR YOUR REFERENCE 图上尺寸仅供参考，请以实际产品为准		DIMENSIONS ARE IN MILLIMETER		TITLE	Die-Cast Enclosure	
	DWG. NO.		04.013A		REV.		
PROJECTION TYPE				SHEET	1 OF 1	SIZE	A1