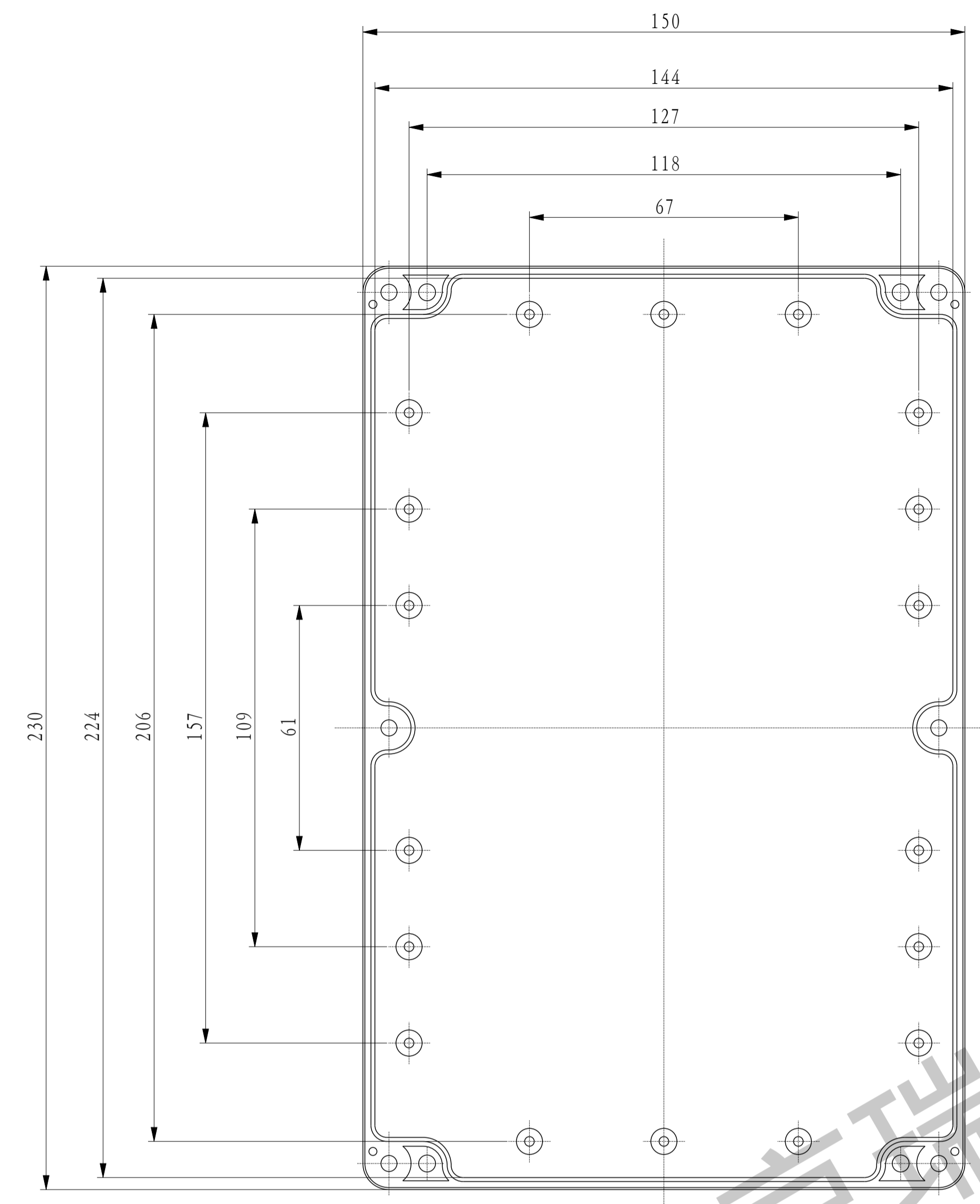
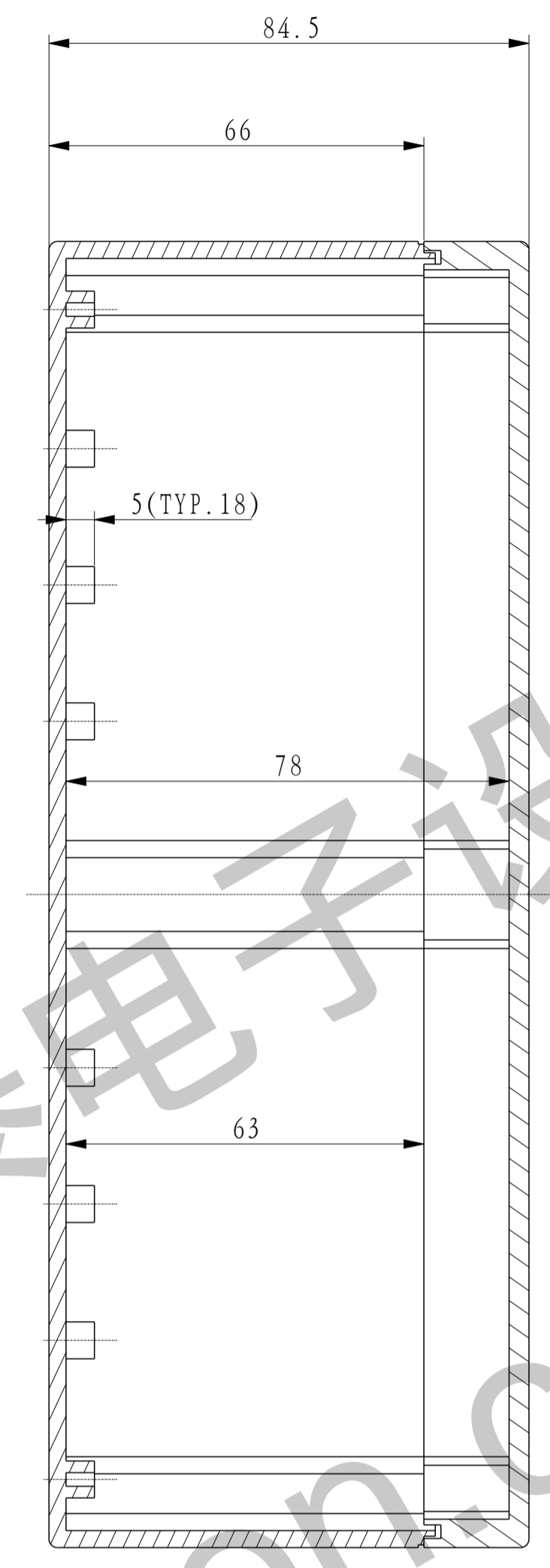


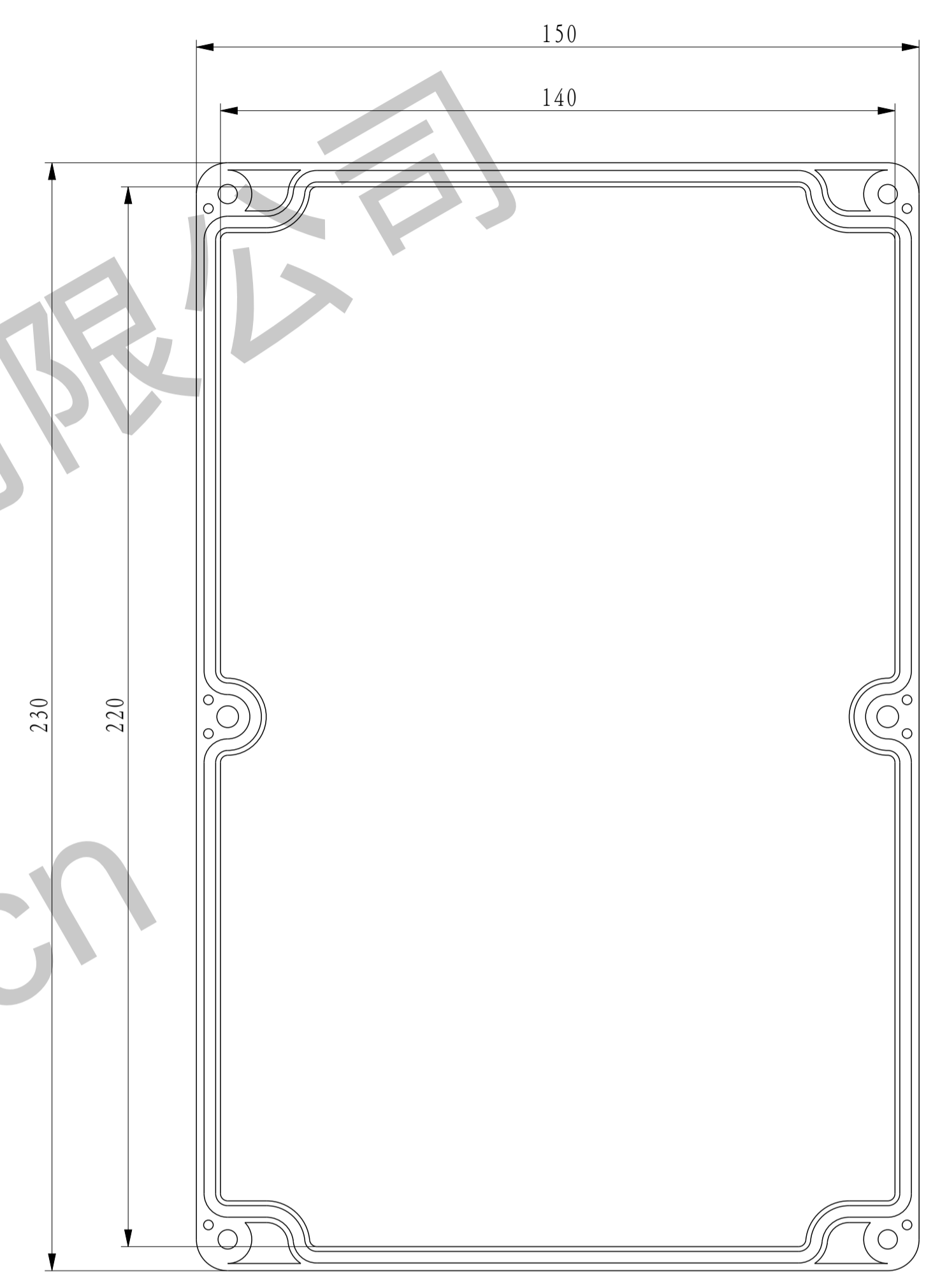
PROPRIETARY INFORMATION			REVISIONS					
THIS DRAWING IS THE PROPERTY OF REICON ENCLOSURES. DISCLOSURE OR REPRODUCTION OF THE INFORMATION ON THIS DRAWING IS PROHIBITED WITHOUT PRIOR WRITTEN CONSENT OF REICON ENCLOSURES.			E.C.O.	ZONE	REV.	DESCRIPTION	DATE	BY



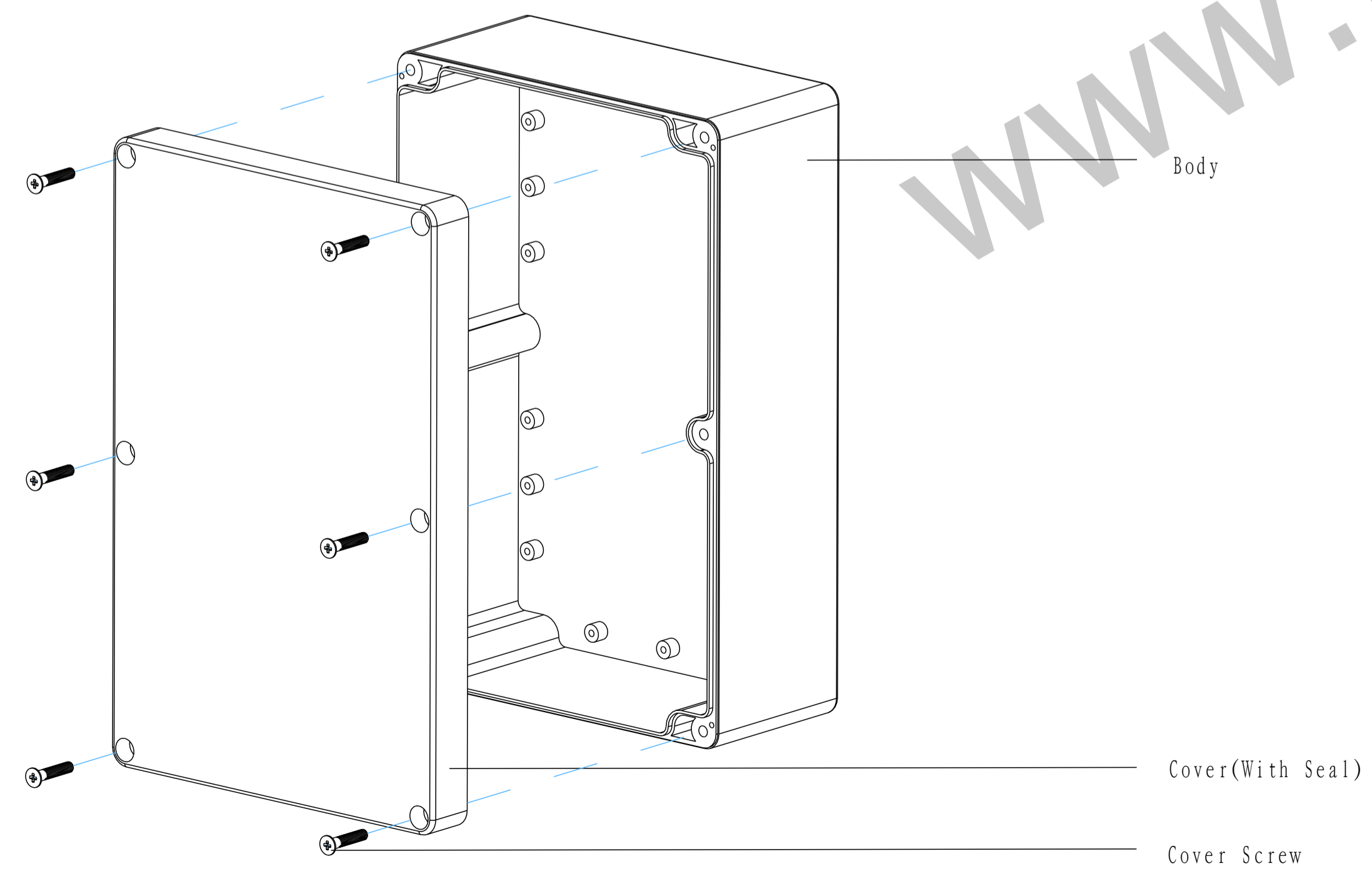
Top View With Removed Cover



Section View Of ASM.



Inside View Of Cover



http://www.reicon.com.cn	MATERIAL	ABS	APPROVALS	DATE	北京瑞康华泰电子设备有限公司 BEIJING REICON ELECTRONICS EQUIPMENT CO., LTD.
	COLOR	Beige	CHECKED		
DO NOT SCALE DRAWING 部分图元可能未按比例绘制	THIS DRAWING IS ONLY FOR YOUR REFERENCE 图上尺寸仅供参考，请以实际产品为准		DIMENSIONS ARE IN MILLIMETER		TITLE
					Junction Boxes
			DWG. NO.	01.062A	REV.
			PROJECTION TYPE		SHEET 1 OF 1
					SIZE A1